



# **Alarm.com Smart Chime**

## Installation Guide

ADC-W115C-INT

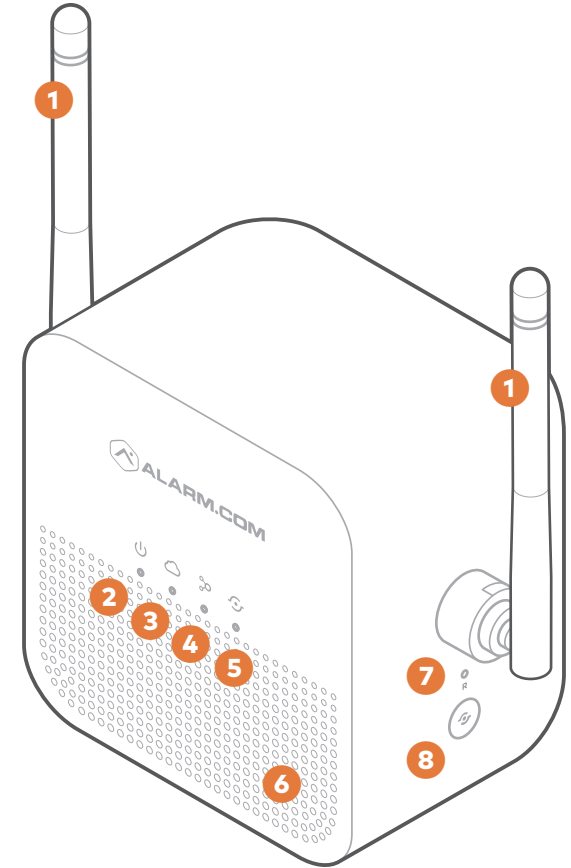
## Pre-installation checklist

- ADC-W115C-INT  
Alarm.com Smart Chime (included)
- Standard non-switched  
electrical outlet
- Power adapter and interchangeable  
blades (included)
- Broadband Internet connection  
(cable, DSL, or fiber optic),  
with a Wi-Fi router
- A computer, tablet, or smartphone  
with Internet access is required
- An Alarm.com Wi-Fi connected device
- An Alarm.com account with a service  
package that supports video

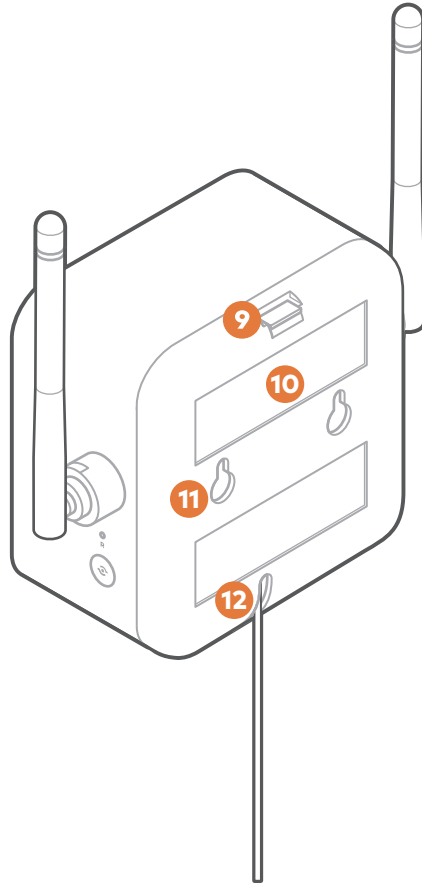
## Overview

Designed to work seamlessly with the Alarm.com platform, the ADC-W115C-INT serves as a robust Wi-Fi extender and customizable wireless doorbell chime. Simply pair the ADC-W115C-INT with the existing router, add to an account, add a doorbell camera, and enjoy boosted network signals that provide instantaneous chime notifications.

- ① Antennas
- ② Power LED
- ③ Router LED
- ④ Devices LED
- ⑤ WPS LED
- ⑥ Speaker
- ⑦ Reset button
- ⑧ WPS button

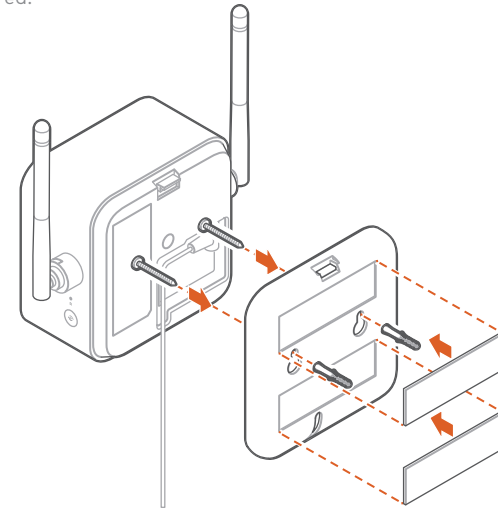


- 9 Release tab
- 10 Indents for double sided mounting tape
- 11 Mounting holes
- 12 Power cable slot



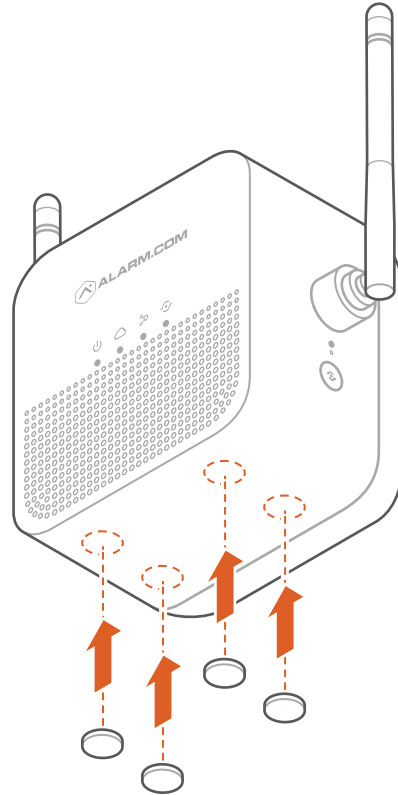
## Mounting your Alarm.com Smart Chime

- 1 Plug in the Alarm.com Smart Chime and ensure you have enough cable to run from the outlet to the mounting location.
- 2 Drill holes in the desired mounting location and use drywall anchors and screws as required.
- 3 Leave enough of the screw head out of the wall and mount the chime using the mounting holes (see image).
- 4 If desired, place the adhesive strips provided on the back of the device to adhere to the wall.



## Table Top placement for your Alarm.com Smart Chime

- 1 Remove the protective cover from the four adhesive feet provided.
- 2 Place the feet as shown in the image.
- 3 Place the feet down on the table top in the desired location for the Alarm.com Smart Chime.



## Connect the Alarm.com Smart Chime to your Wi-Fi network

Choose the appropriate installation wizard (customer or technician) below or proceed to the AP mode or WPS mode section to begin adding the chime.

### Customer - Mobile App Installation Wizard

- 1 Log in to the Mobile App. You will need the username and password of the account to log in.
- 2 Tap the navigation ☰ menu.
- 3 Tap + Add Device > Video Camera > Enter MAC Address. (If you do not see the Add Device option, please use the AP mode or WPS mode instructions below to complete your installation.)
- 4 Follow the on-screen instructions to finish adding the chime.

### Service provider technician - MobileTech installation

- 1 Log in to MobileTech.
- 2 Select the customer's account.
- 3 Tap Quick Actions > Add Device > Smart Chime.
- 4 Follow the on-screen instructions to finish adding the chime.

### WPS mode

To ensure sufficient Wi-Fi signal, complete these steps with the chime in close proximity to your router.

- 1 Plug the Alarm.com Smart Chime into a non-switched electrical outlet. Wait for the Power LED to change from blinking to solid.
- 2 Press and hold the WPS button for approximately five seconds or until the LED changes from blinking rapidly to blinking slowly.
- 3 Activate WPS mode on your router. Consult your router's user guide for more information. The Alarm.com Smart Chime will begin to connect to the Wi-Fi network. The Smart Chime's Router LED will begin blinking when a connection is established and will

become solid when an Internet connection is successfully established.

- 4 Add the device to the account by either selecting the account in MobileTech or by using a web browser and entering the following URL: **www.alarm.com/addcamera** (you will need the customer username and password).
- 5 Begin the installation by entering the Alarm.com Smart Chime's MAC address, located on the back of the chime or on the packaging.

- 6 Follow the on-screen instructions to finish adding the chime.

*You can now unplug the chime and install it in its final location.*

### AP mode

*To ensure sufficient Wi-Fi signal, complete these steps with the chime in close proximity to your router.*

- 1 Plug the Alarm.com Smart Chime into a non-switched electrical outlet. Wait for the Power LED to change from blinking to solid.
- 2 On an Internet-enabled device, connect to the Wi-Fi network "**Chime Config (XX:XX:XX)**" where XX:XX:XX is the last

six characters of the Alarm.com Smart Chime's MAC address. The MAC address and required Wi-Fi password are located on the back of the chime, on the packaging, or on the sticker that is included in the packaging.

**Note:** This configuration network will only be available when the device is not connected to the home's Wi-Fi network. To switch to a different Wi-Fi network, while actively connected to the original network, use the Alarm.com Smart Chime's Wireless Network Settings Page on the Customer Website.

- 3 On the same device, open a web browser and enter: **http://connect.alarm.com** or **http://192.168.173.1/** in the URL field. Follow the on-screen instructions to add the Alarm.com Smart Chime to the Wi-Fi network. The Router LED will begin blinking when a connection is established and will remain illuminated when an internet connection is successfully established.
- 4 Add the device to the account by either selecting the account in MobileTech or by using a web browser and entering the following URL: **www.alarm.com/addcamera** (you will need the customer username and password).

- 5 Begin the installation by entering the Alarm.com Smart Chime's MAC address, located on the back of the chime, on the packaging, or on the sticker that is included in the packaging.
- 6 Follow the on-screen instructions to finish adding the chime.

*You can now unplug the chime and install it in its final location.*

## Connecting an Alarm.com Wi-Fi device to the Alarm.com Smart Chime

- 1 Unplug the Alarm.com Smart Chime and move it to a non-switched electrical outlet between your home router and your Alarm.com Wi-Fi devices. Wait for the Power LED to change from blinking to solid.
- 2 If the Router LED begins blinking, wait for the LED to change from blinking to solid.

- 3 If the Router LED does not begin blinking, your Alarm.com Smart Chime is too far from your home router. Identify a non-switched electrical outlet closer to your home router and return to step 1.
- 4 Once the Router LED is solid, you can assess the strength of the signal being received on the Alarm.com Smart Chime's Wireless Network Settings Page.

### Wi-Fi Protected Setup (WPS) mode

- 1 Be sure to add the Alarm.com Smart Chime to an Alarm.com account before using WPS mode to add video cameras or other Wi-Fi devices to the Wi-Fi network.
- 2 To enter WPS mode, press and release the WPS button on the Smart Chime.
- 3 The WPS LED will rapidly flash to indicate that the device is in WPS mode.
- 4 Press the WPS button on the device you want to add to the Smart Chime's Wi-Fi network.
- 5 The Devices LED will flash three times and will become solid upon a successful pairing.

## Accessing the Alarm.com Smart Chime's wireless network or chime settings page

- 1 Log in to your account on the customer website
- 2 Select **Settings**
- 3 Select **Manage Devices**
- 4 Find your Alarm.com Smart Chime and press the **Options** ⋮ button
- 5 Click **Device Settings**
- 6 Select either the Wireless Network Settings or Chime Settings tab

## Troubleshooting

*If you are still having issues using the Alarm.com Smart Chime, please try the following troubleshooting options:*

### Verify your Alarm.com Smart Chime is connected to your router's Wi-Fi network

*Check your Alarm.com Smart Chime's Router LED:*

#### Router LED is off

If the LED is not illuminated, the connection to the router has been lost. Check your router to ensure that it is on. Next, try moving your Alarm.com Smart Chime closer to the router to confirm it is in range. If the connection is not re-established, try connecting your device to your Wi-Fi network using WPS mode. To reconnect via AP mode, follow the instructions listed in the **AP Mode** section.

#### Router LED is blinking

If the Router LED is blinking, there is a local connection to the router but no internet connection. If you cannot access the Internet using your router, please contact your Internet Service Provider to restore Internet access.

### Verify the Devices LED

If your devices are connected to the Alarm.com Smart Chime, the Devices LED will be solid. If you have multiple devices that are connected to the Alarm.com Smart Chime, you can view the currently connected devices on the Alarm.com Smart Chime's Wireless Network Settings page on the customer website. If the device experiencing connectivity issues is not listed or the Devices LED is off, try reconnecting the device via WPS. If this does not solve the problem, try resetting the disconnected device and reconnecting it using WPS mode.

### Power cycle


Unplug the device from power for 10 seconds and plug it back in. Wait for the Power and Router LEDs to become solid before trying to use the device again.

## Performing a communication test

Press the WPS button for 10 to 15 seconds. The WPS LED will stop blinking and the Router LED will blink five times. If the Router LED turns solid, the test was successful. Please wait two minutes before trying to use the device again.

## Factory reset

Press and hold the Reset button (pinhole) for 15 to 20 seconds (use a paper clip or tool if necessary). All LEDs will blink simultaneously to indicate that the device will reset.

 **This will restore factory-default settings to the device. All network configurations will be deleted and all connected devices will need to be reconnected using WPS mode.**

## Questions?

Visit [answers.alarm.com](https://answers.alarm.com) or contact your service provider.

## LED reference

### Power



Off - Device powered off



On - Device powered on



Blinking - Device booting up

### Router



Off - No local or Internet connection



On - Connected to Internet



Blinking - Local connection, no Internet



Blinking (five quick blinks) - Communication test initiated

### Devices



Off - No device connected to chime



On - Device connected to chime



Blinking (three quick blinks) - New device connected to chime

### WPS



Off - WPS mode not enabled



Blinking (slowly) - WPS mode enabled to connect to router



Blinking (rapidly) - WPS mode enabled to connect to client device



## Additional states



**All LEDs Blinking (escalating) -**  
*Firmware upgrade in progress*



**All LEDs Blinking (simultaneously) -**  
*Reset in progress*

## Notices

### FCC warning statement

This equipment complies with FCC radiation exposure limits set forth for an uncontrolled environment.

This equipment should be installed and operated with minimum distance 20cm between the radiator & your body. This equipment has been tested and found to comply with the limits for a Class B digital device, pursuant to Part 15 of the FCC Rules. These limits are designed to provide reasonable protection against harmful interference in a residential installation. This equipment generates, uses and can radiate radio frequency energy and, if not installed and used in accordance with the instructions, may cause harmful interference to radio communications. However, there is no guarantee that interference will not occur in a particular installation. If this equipment does cause harmful interference to radio or television reception, which can be determined by turning the equipment off and on, the user is encouraged to try to correct the interference by one of the following measures:

- Reorient or relocate the receiving antenna.
- Increase the separation between the equipment and receiver.
- Connect the equipment into an outlet on a circuit different from that to which the receiver is connected.
- Consult the dealer or an experienced radio/TV technician for help.

Any changes or modifications not expressly approved by the party responsible for compliance could void the user's authority to operate this equipment.

This device complies with part 15 of the FCC Rules. Operation is subject to the following two conditions:

- 1 This device may not cause harmful interference, and
- 2 This device must accept any interference received, including interference that may cause undesired operation.

### Industry Canada statement

This device contains licence-exempt transmitter(s)/ receiver(s) that comply with Innovation, Science and Economic Development Canada's licence-exempt RSS(s). Operation is subject to the following two conditions:

- 1 This device may not cause interference.
- 2 This device must accept any interference, including interference that may cause undesired operation of the device.

This equipment complies with FCC and ICSED radiation exposure limits set forth for an uncontrolled environment. This equipment should be installed and operated with a minimum distance of 20cm between the equipment and your body. This device and its antenna(s) must not be co-located or operating in conjunction with any other antenna or transmitter.

Cet appareil contient des émetteurs ou récepteurs exempts de licence qui sont conformes aux RSS exempts de licence du Sciences et du Développement économique Canada. Le fonctionnement de l'équipement dépend de deux conditions :

- 1 Cet appareil ne doit pas provoquer d'interférence.
- 2 Cet appareil doit accepter toute interférence, y compris celles qui pourraient provoquer un fonctionnement indésirable de l'appareil.

Cet appareil est conforme aux limites d'exposition aux radiofréquences établies par la FCC et l'ISED pour un environnement non contrôlé. Cet appareil doit être installé et utilisé à une distance minimale de 20 centimètres entre l'appareil et votre corps. Cet appareil et son ou ses antennes ne doivent pas être situés ou fonctionner en conjonction avec une autre antenne ou un autre émetteur.



8281 Greensboro Drive  
Suite 100  
Tysons, VA 22102

210818  
© 2021 Alarm.com. All rights reserved.